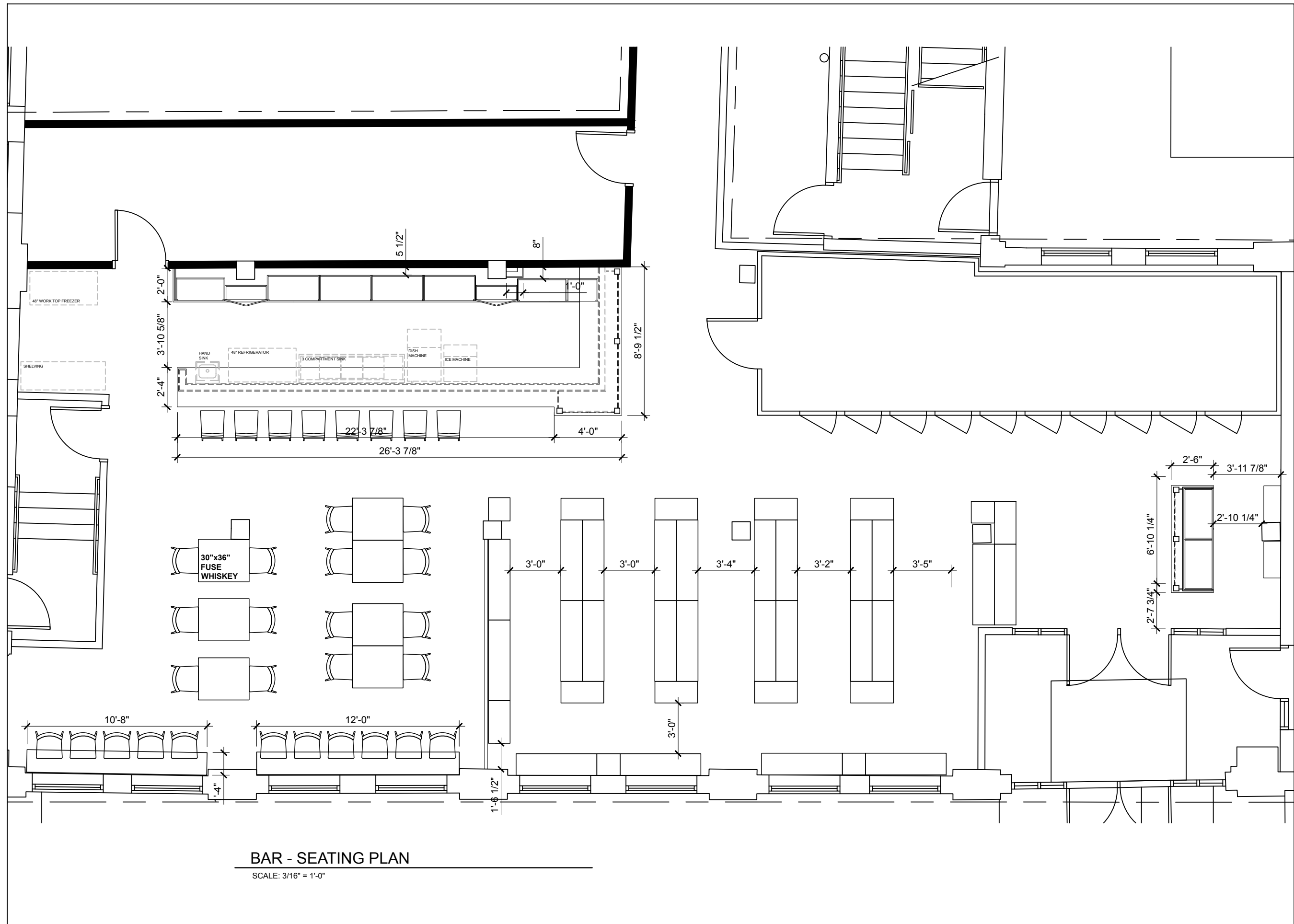




studio wise

506 OAKLAND AVE SW  
GRAND RAPIDS, MI 49503

616.566.2572  
brant@studiowisedesign.com



**BAR - SEATING PLAN**

SCALE: 3/16" = 1'-0"

PROJECT CRAFT BEER CELLAR  
IONIA AVE SW  
GRAND RAPIDS, MI 49503

DATE 08 10 2016 FOR REVIEW

DRAWING BAR/SEATING PLAN

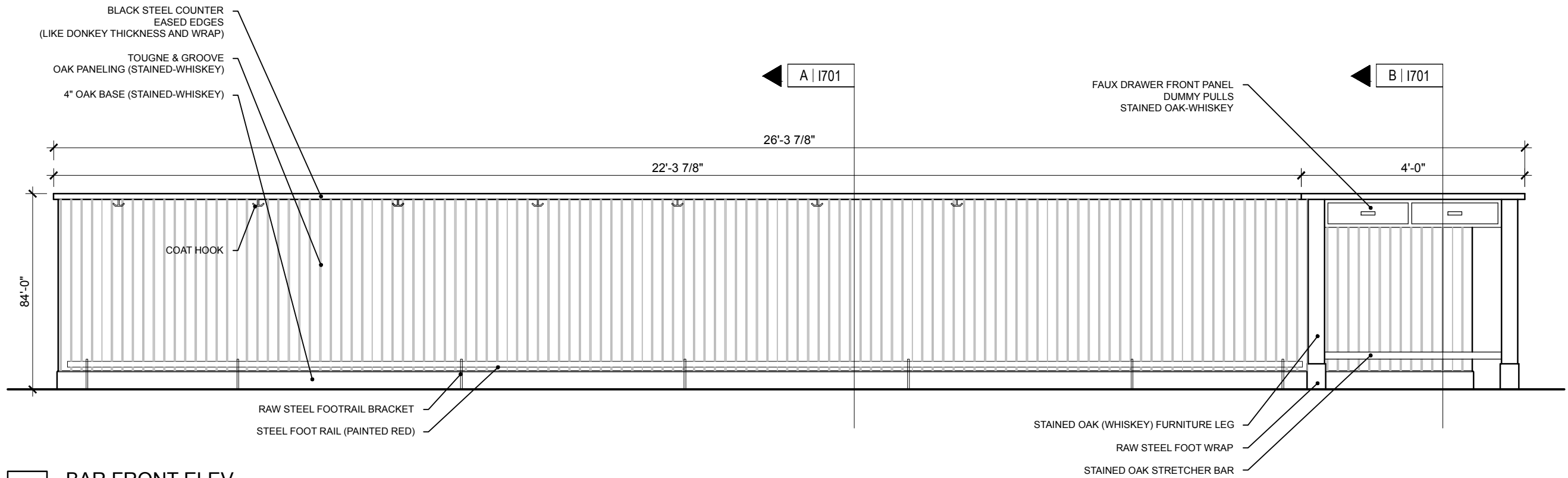
**1700**



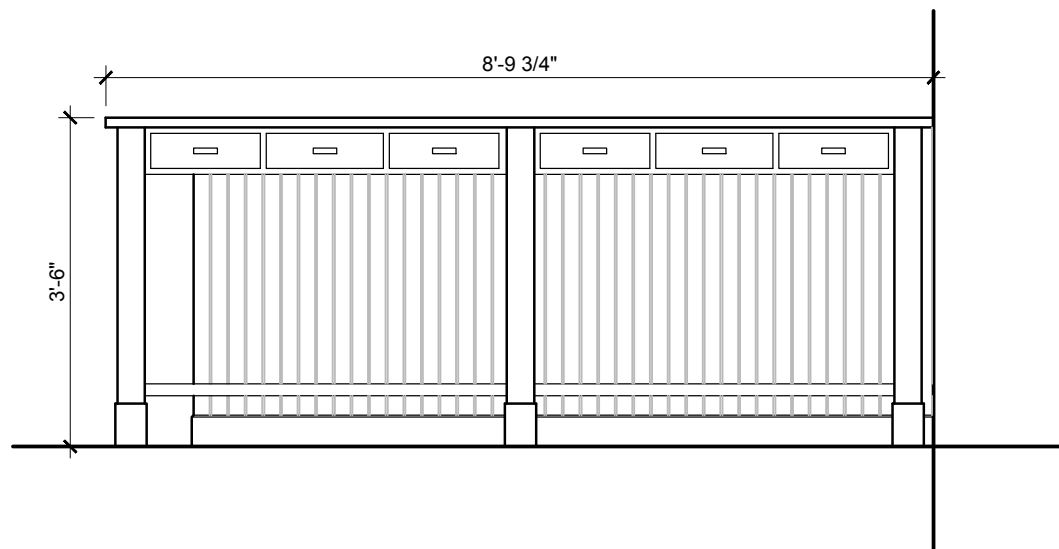
studio wise

506 OAKLAND AVE SW  
GRAND RAPIDS, MI 49503

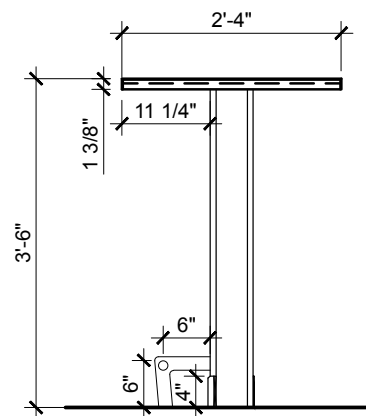
616.566.2572  
brant@studiowisedesign.com



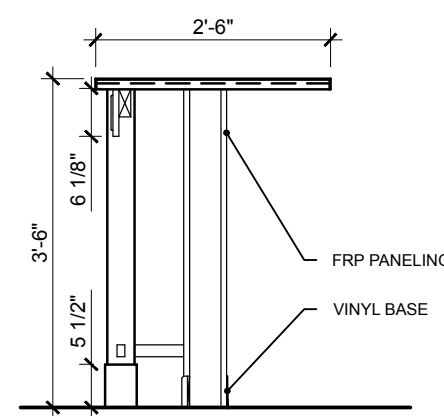
**01** BAR FRONT ELEV.  
SCALE: 1/2" = 1'-0"



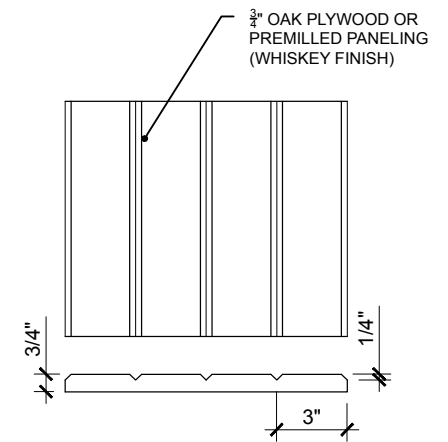
**02** BAR SIDE ELEV.  
SCALE: 1/2" = 1'-0"



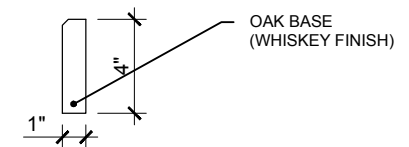
**A** FRONT BAR SECTION  
SCALE: 1/2" = 1'-0"



**B** SIDE BAR SECTION  
SCALE: 1/2" = 1'-0"



**BAR PANELING**  
SCALE: 1-1/2" = 1'-0"



**BAR FACE BASE**  
SCALE: 1-1/2" = 1'-0"

CRAFT BEER CELLAR  
IONIA AVE SW  
GRAND RAPIDS, MI 49503

PROJECT FOR REVIEW

DATE 08 10 2016

DRAWING BAR ELEVATIONS

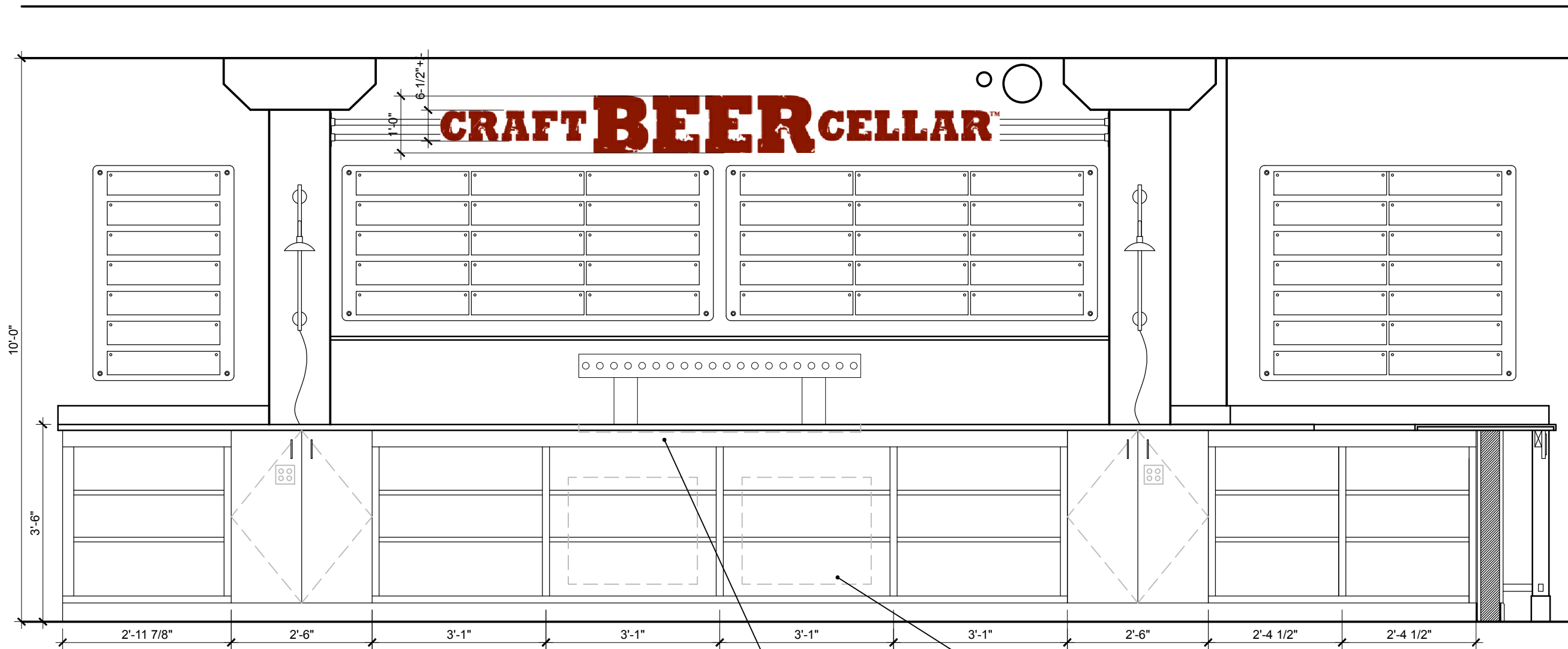
**I 701**



studio wise

506 OAKLAND AVE SW  
GRAND RAPIDS, MI 49503

616.566.2572  
brant@studiowisedesign.com



**02** BACK BAR ELEV.  
SCALE: 1/2" = 1'-0"

PROJECT CRAFT BEER CELLAR  
IONIA AVE SW  
GRAND RAPIDS, MI 49503

DATE 08-10-2016 FOR REVIEW

DRAWING BACK BAR ELEVATION

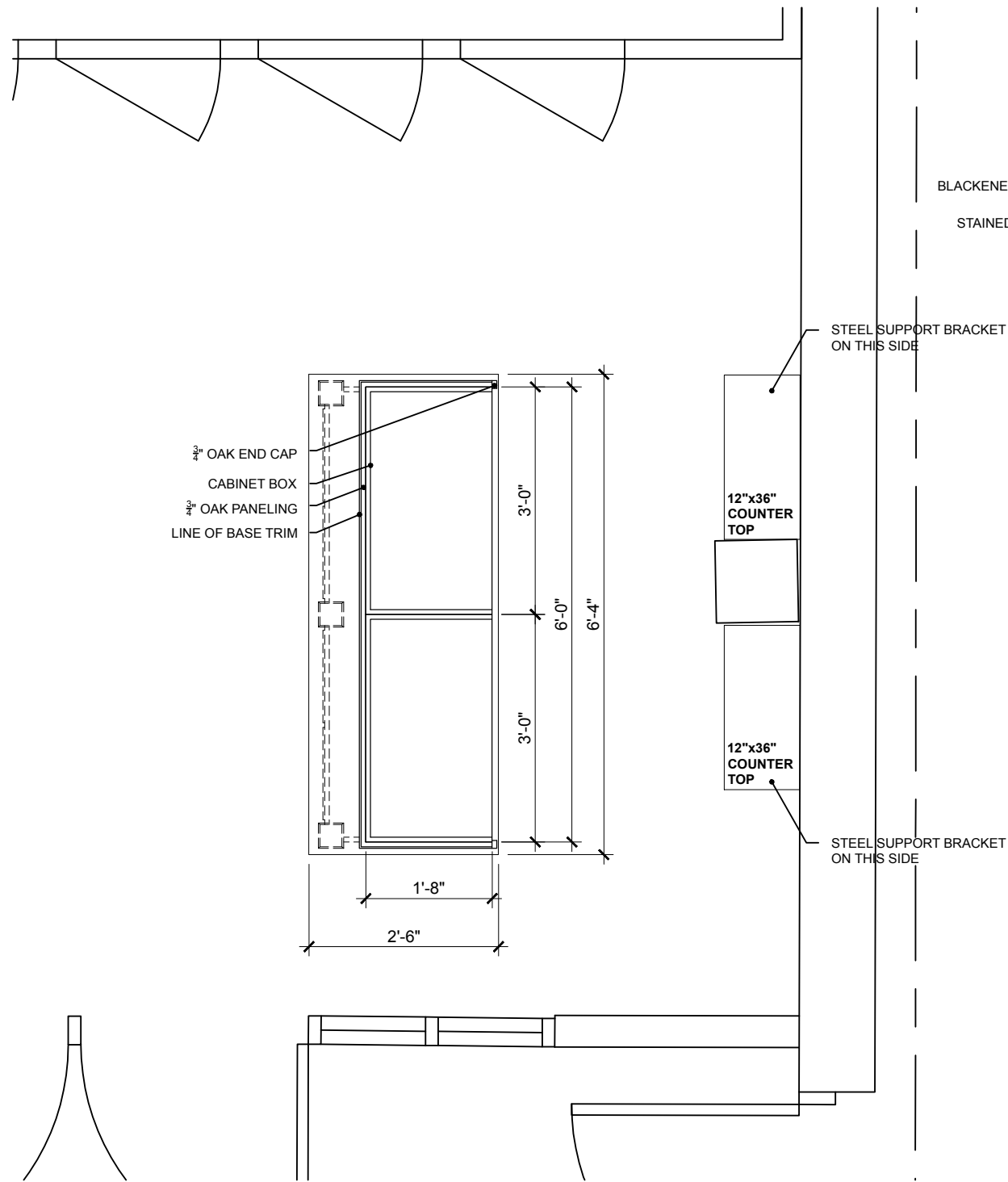
**1702**



studio wise

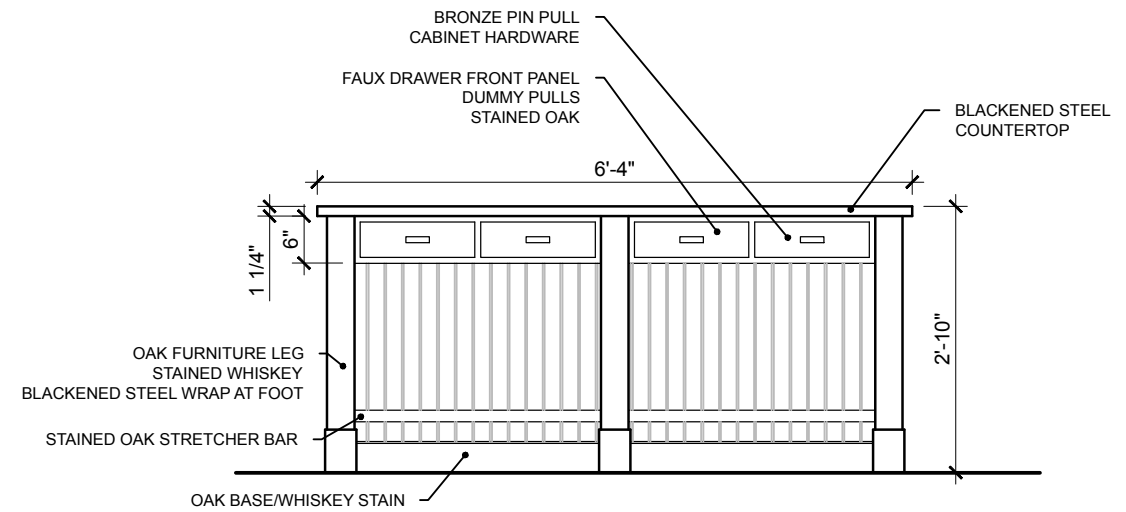
506 OAKLAND AVE SW  
GRAND RAPIDS, MI 49503

616.566.2572  
brant@studiowisedesign.com



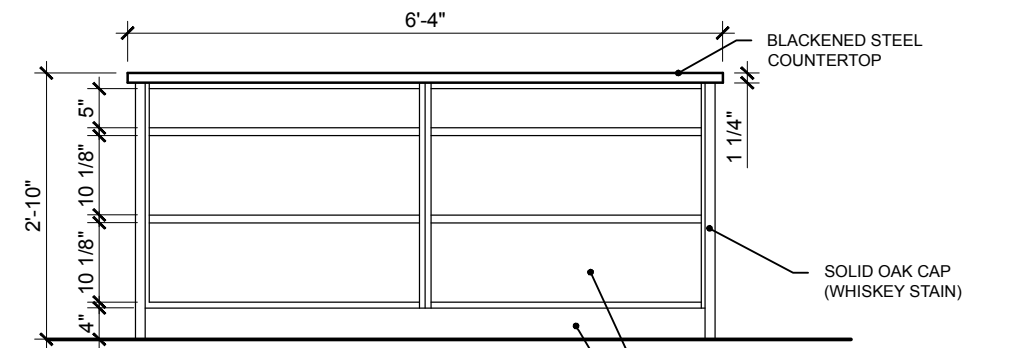
**POS PLAN VIEW**

SCALE: 1/2" = 1'-0"



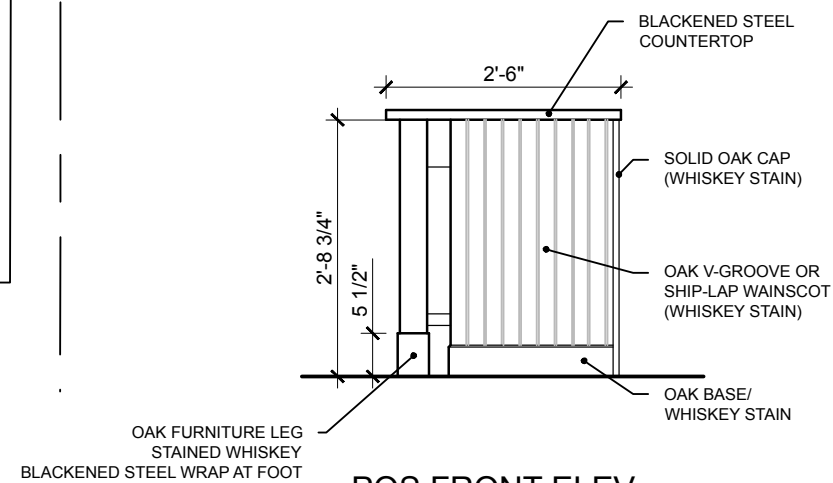
**POS FRONT ELEV.**

SCALE: 1/2" = 1'-0"



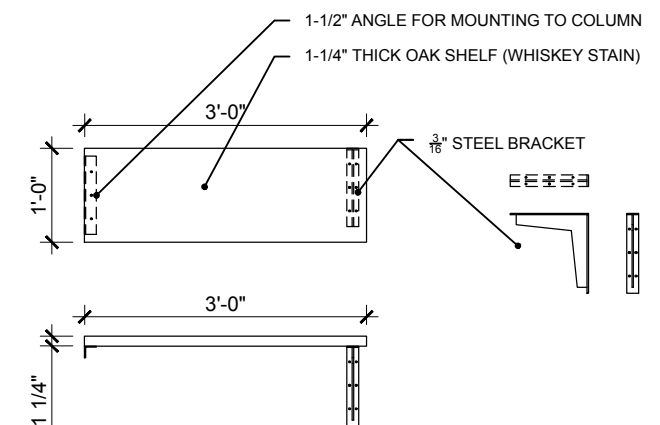
**POS FRONT ELEV.**

SCALE: 1/2" = 1'-0"



**POS FRONT ELEV.**

SCALE: 1/2" = 1'-0"



**COLUMN MOUNTED SHELVES/BRACKETS**

SCALE: 1/2" = 1'-0"

PROJECT CRAFT BEER CELLAR  
IONIA AVE SW  
GRAND RAPIDS, MI 49503

DRAWING POINT OF SALE

DATE -- 2016 FOR REVIEW

DATE -- 2016 FOR REVIEW

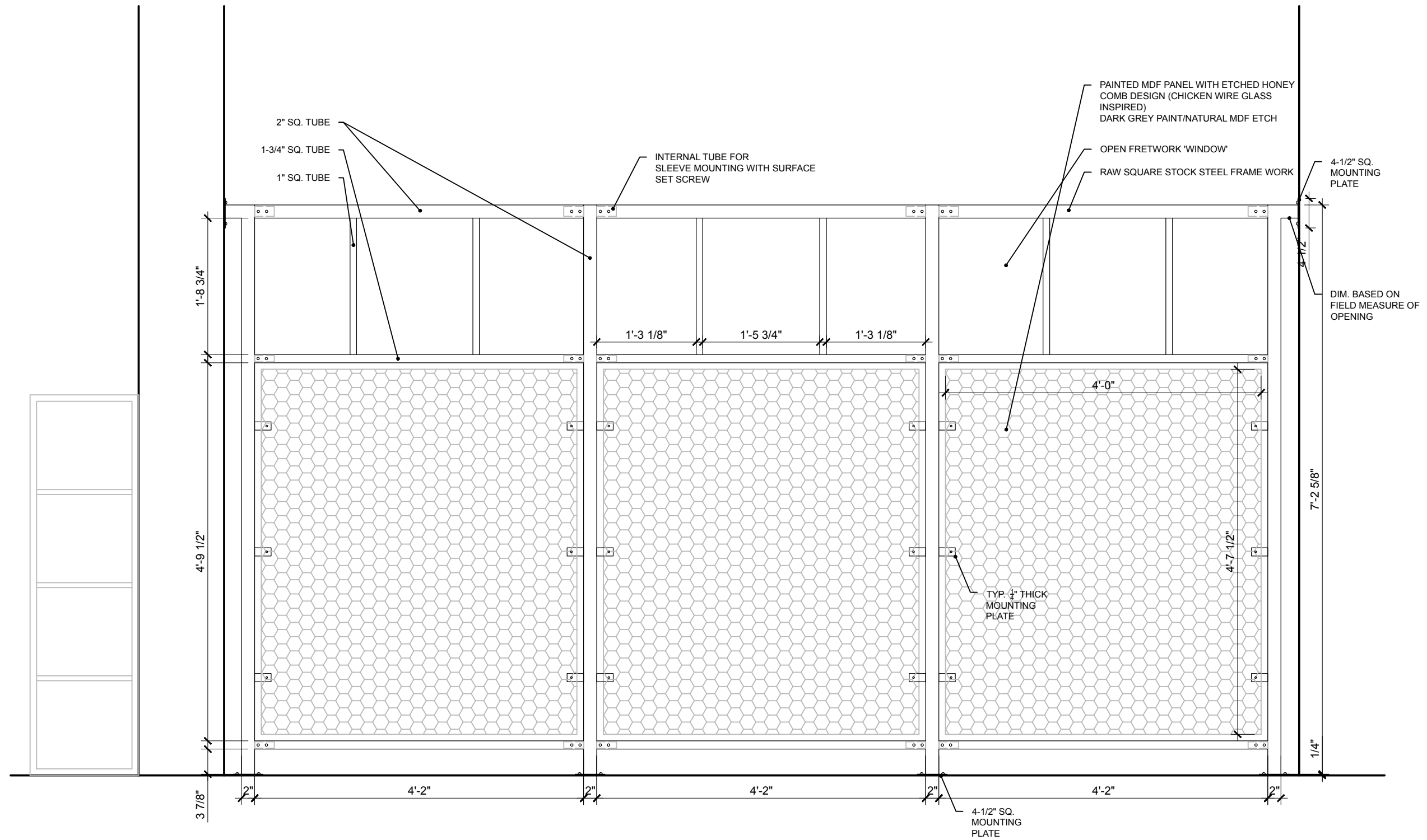
1703



studio wise

506 OAKLAND AVE SW  
GRAND RAPIDS, MI 49503

616.566.2572  
brant@studiowisedesign.com



**DIVIDER WALL ELEV.**

SCALE: 3/4" = 1'-0"

PROJECT CRAFT BEER CELLAR  
IONIA AVE SW  
GRAND RAPIDS, MI 49503

DRAWING WALL DIVIDER

DATE 08 10 2016 FOR REVIEW

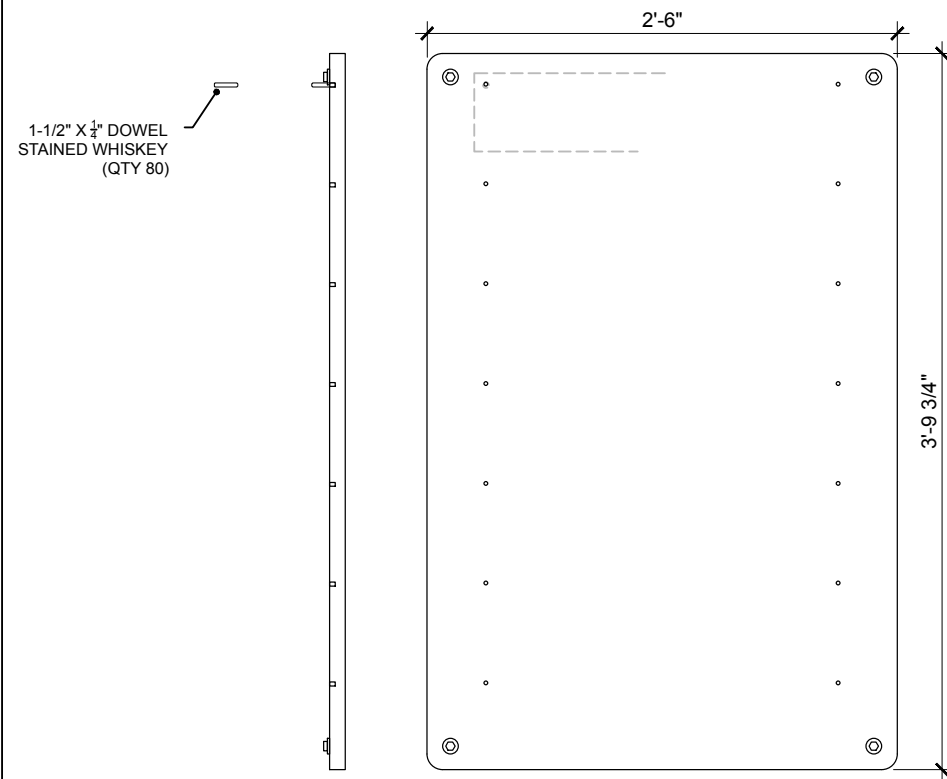
**I 704**



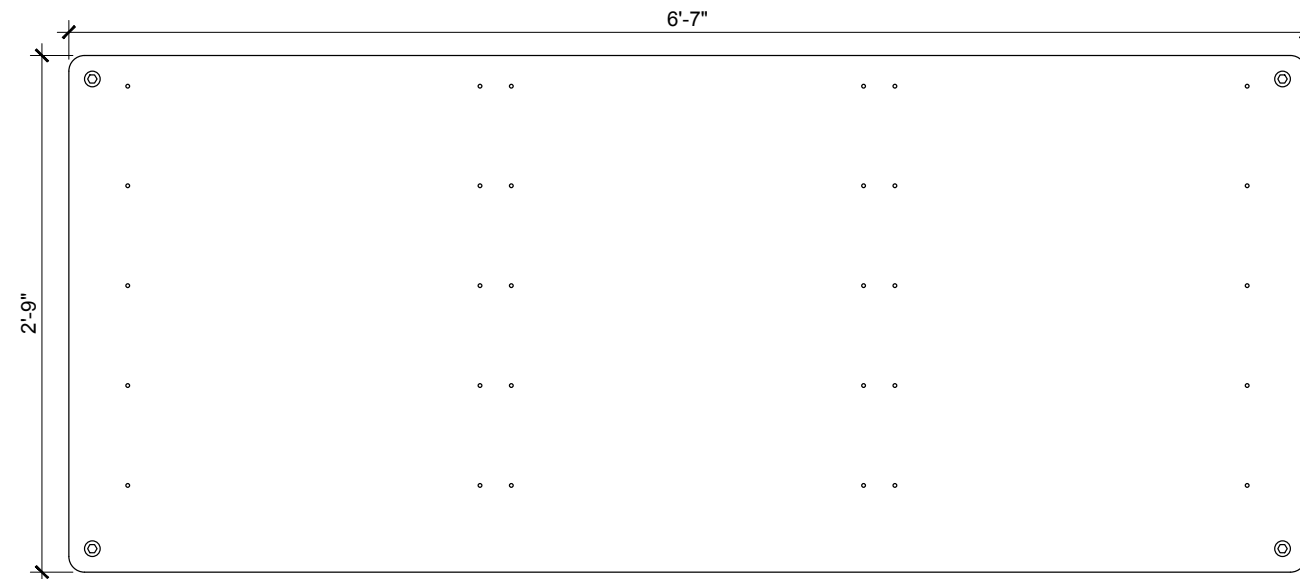
studio wise

506 OAKLAND AVE SW  
GRAND RAPIDS, MI 49503

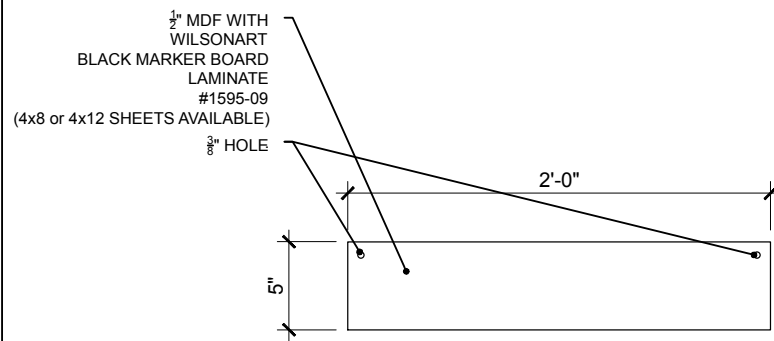
616.566.2572  
brant@studiowisedesign.com



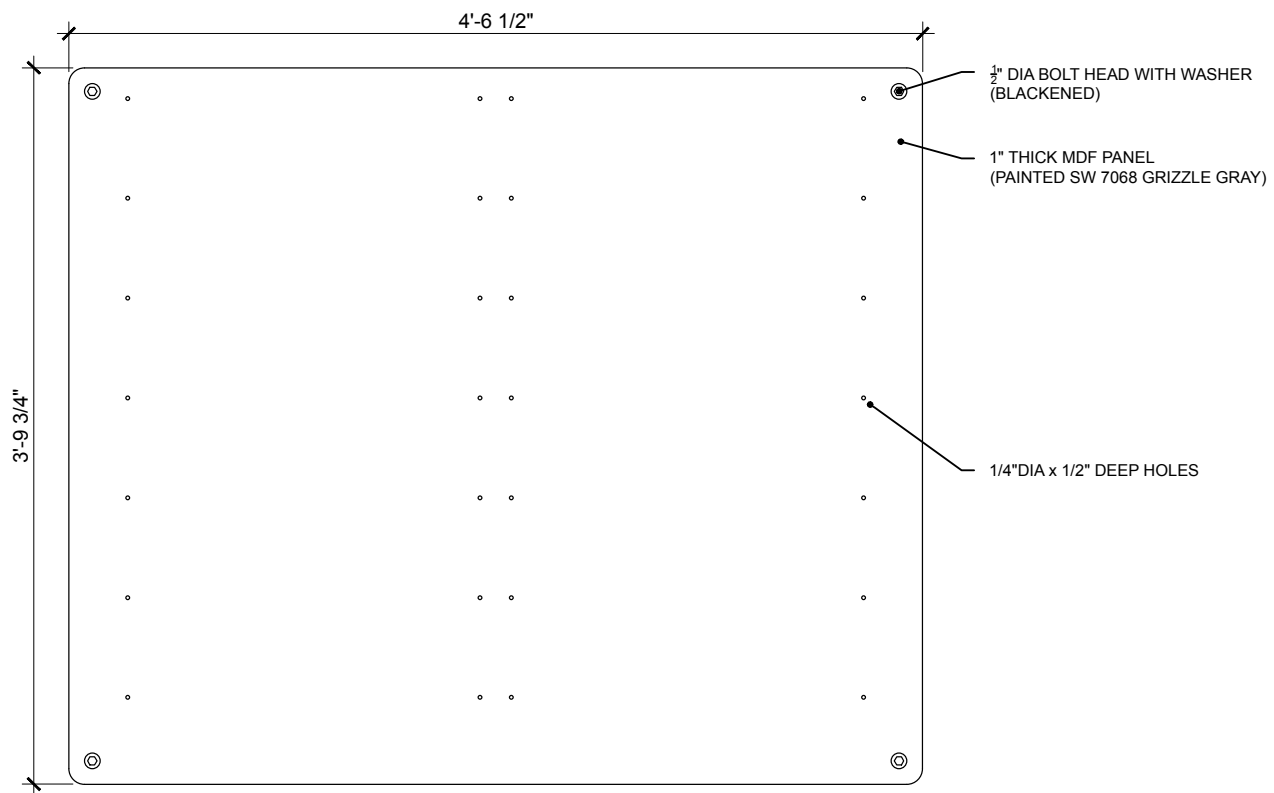
LEFT SIDE (QTY 1)



CENTER SECTION (QTY 2)



HANGING TILE (QTY 40)



RIGHT SIDE (QTY 1)

**MENU BOARDS**

SCALE: VARIES

PROJECT CRAFT BEER CELLAR  
IONIA AVE SW  
GRAND RAPIDS, MI 49503

DRAWING MENU BOARDS

DATE 08 10 2016 FOR REVIEW

DATE 08 10 2016 FOR REVIEW

**I 705**



studio wise

506 OAKLAND AVE SW  
GRAND RAPIDS, MI 49503

616.566.2572  
brant@studiowisedesign.com

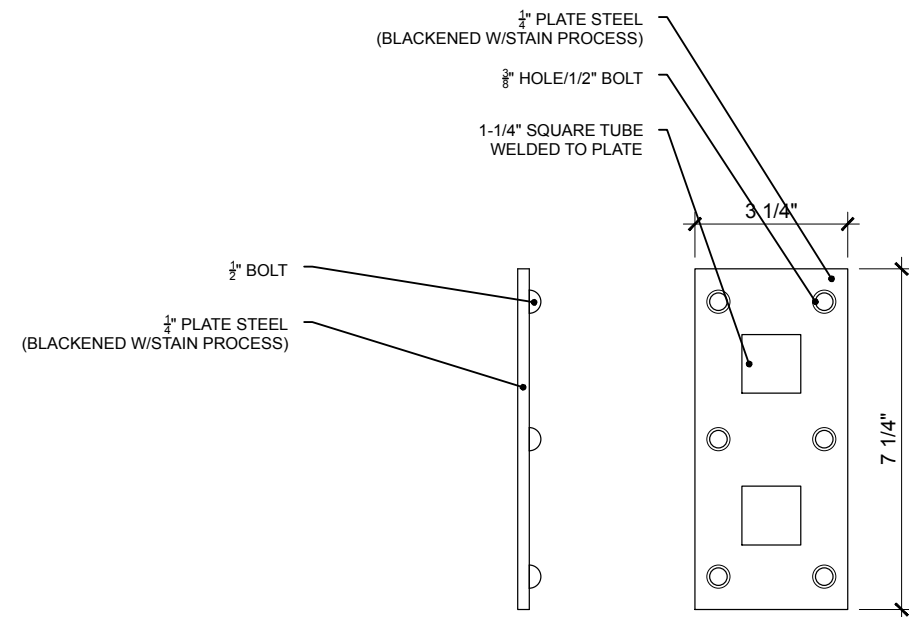
LETTERS AND MOUNTING BY ZOOMER

# CRAFT BEER CELLAR™

SLIP JOINT  
OVER 3/4"-1" SQUARE TUBE WITH SET  
SCREWS ON BACK

6'-10 3/4"

6'-10 3/4"



MOUTNING BRACKET

SCALE: 3" = 1'-0"

PROJECT CRAFT BEER CELLAR  
IONIA AVE SW  
GRAND RAPIDS, MI 49503

FOR REVIEW

DATE 08 10 2016

DRAWING SIGNAGE AND MOUNTING RAIL

1706